

# MD Compact Rotary Blower Package

## MODELS: MD10, MD20

Based on decades of building high quality blowers, M-D Pneumatics® is proud to introduce the new MD compact rotary blower package. MD open (non-enclosure) pressure packages are a dependable and economical high-volume air source for many applications such as pneumatic conveying and wastewater aeration. MD blower packages offer many distinct advantages.

## QUALITY FEATURES

All MD blower packages include:

- Premium quality, made in the USA, M-D Pneumatics rotary blower
- TEFC motor standard with 1.15 service factor
- Indoor / outdoor rated
  - Suitable for indoor / outdoor operation
- Welded steel base with discharge silencer which includes:
  - Intake filter
  - Auto belt tensioning
  - Accessories port
  - Water drain valve on silencer
  - High flow, reliable, spring-based piston-type pressure relief valve
  - OSHA belt guard with flow-through ventilation keeps belts running cool
  - Matched V-belt drive with 1.4 service factor
  - Liquid filled pressure gauge
  - Vibration-damping mounts
- Easy and convenient maintenance
- Shipped completely assembled for easy installation

Optional accessories are available with standard\* packages:

- Unloading valve
- Swing check valve
- Temperature gauge
- Single point oil drain kit

*\*Other options are available upon request but may affect price and delivery time.*



MD20 Blower Package

## ADVANCED CAPABILITIES AND BENEFITS

### Shorter Delivery Timeframe

An efficient approach to manufacturing means no longer having to wait many weeks or months to receive your blower package. By standardizing open blower packages for common operating conditions, many MD blower packages can be quickly assembled and shipped.

### Mounting Base with Integral Silencer

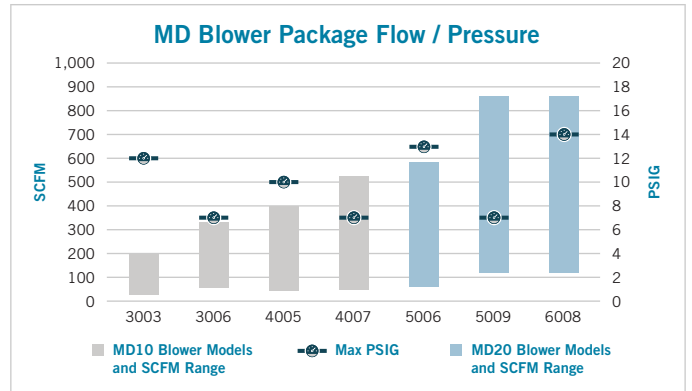
We now offer an integrated discharge silencer / base. Automatic belt tensioning means no downtime to tighten and re-tighten belts and minimizes the chances of unplanned downtime due to belt breakage.

### Factory Built and Factory Warranted

MD blower packages are built in our manufacturing facility in Springfield, Missouri, USA under rigorous quality standards. All rotary blower packages are covered by a factory warranty of 18 months after installation, not to exceed 24 months after shipment.

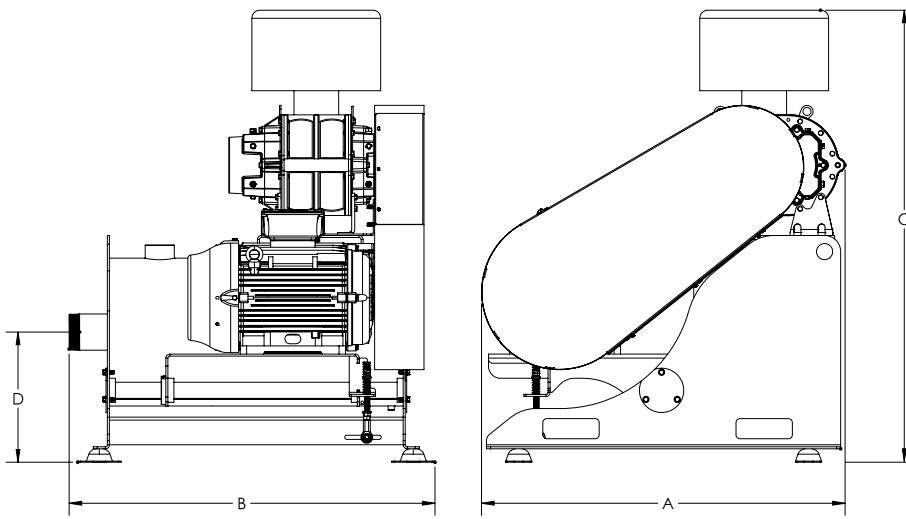
## FLOW / PRESSURE AT A GLANCE

The MD Blower Package Flow / Pressure chart can be used as a guide to estimate which blower model and frame size will best suit your operation requirements. For example, the MD10 package with a 4007 blower model would achieve 400 SCFM at 6 PSIG. However, if the pressure required for operation were 12 PSIG, the MD20 package with either a 5006 or 6008 blower model would achieve 400 SCFM. Chart is for reference only. Please contact customer service or your regional authorized distributor for assistance with system selection.



## DIMENSIONS

Values shown are approximate and should not be used for construction. Certified drawings are available through your local sales professional.



	Model	
	MD10	MD20
A	32.25 in. (870 mm)	45.25 in. (1,150 mm)
B	37.75 in. (960 mm)	45.5 in. (1,155 mm)
C	45.25 in. (1,190 mm)	56.25 in. (1,430 mm)
D	13.66 in. (347 mm)	16.16 in. (410 mm)

Note: MD20 Blower Package Dimension Drawing Displayed

All M-D Pneumatics positive displacement rotary blowers include the following features:

- Helical timing gears for quiet operation
- Double row ball bearings on gear end of all models increases overall design bearing life by up to 50% versus other manufacturers models
- Rotors with integrally cast shafts that allow larger shaft diameters, and greater strength as compared to the competition
- Every M-D Pneumatics blower is factory tested to ensure the highest quality. While other manufacturers only perform sample testing, we strive to ensure your blower meets our rigid quality standards.

## CONTACT US

For more information, contact your  
Regional Sales Manager or email us at:

[springfield@tuthill.com](mailto:springfield@tuthill.com)

Your Local Sales Professional:

